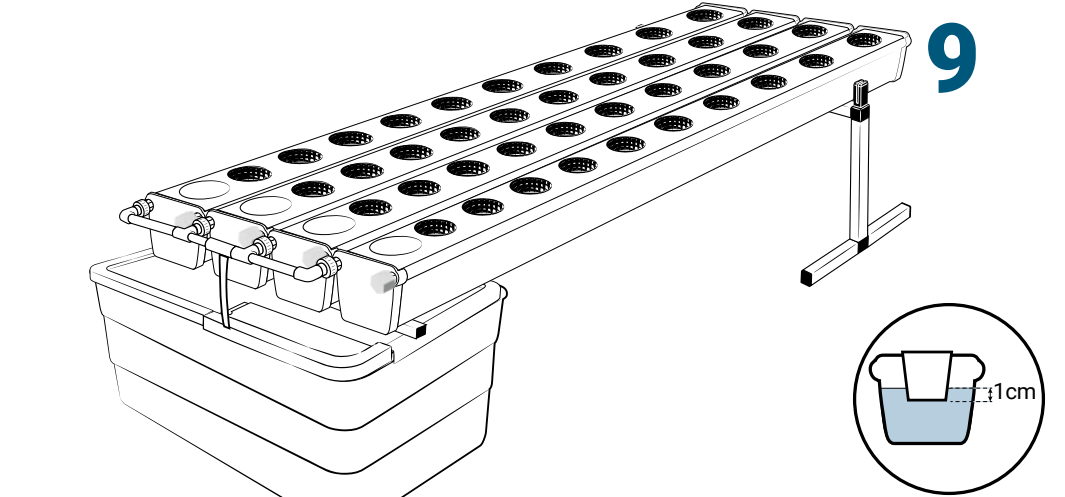
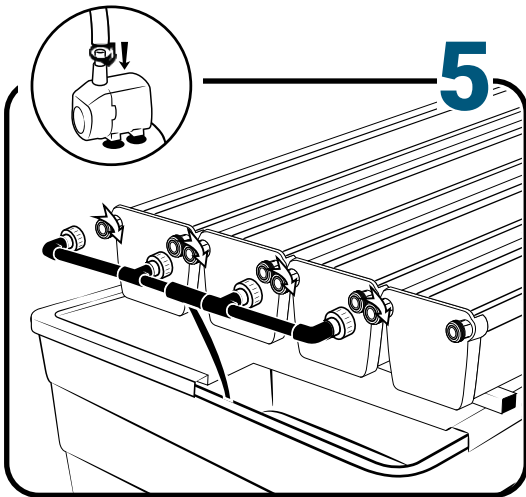
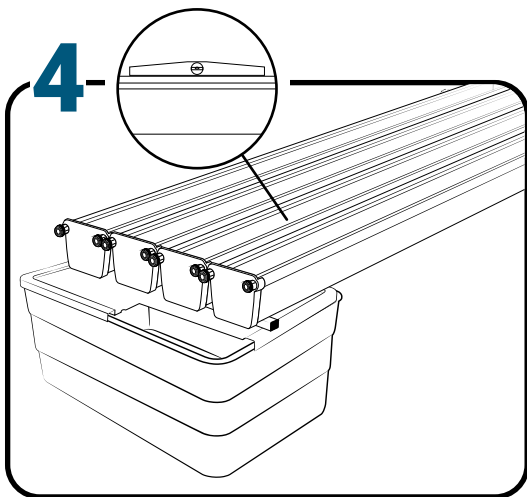
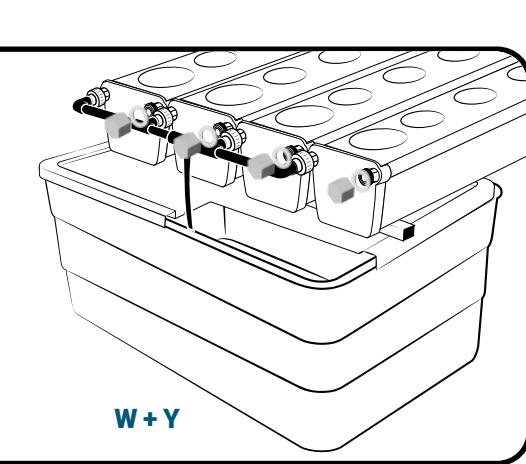
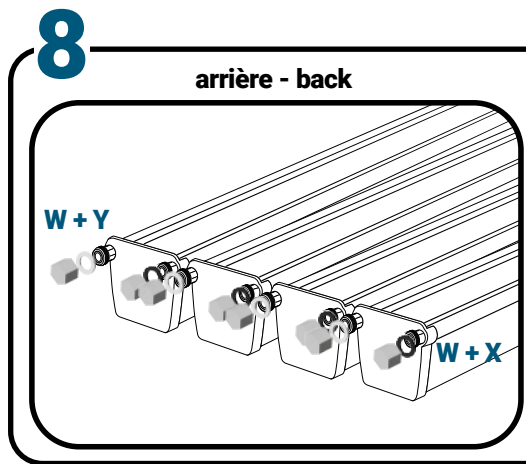
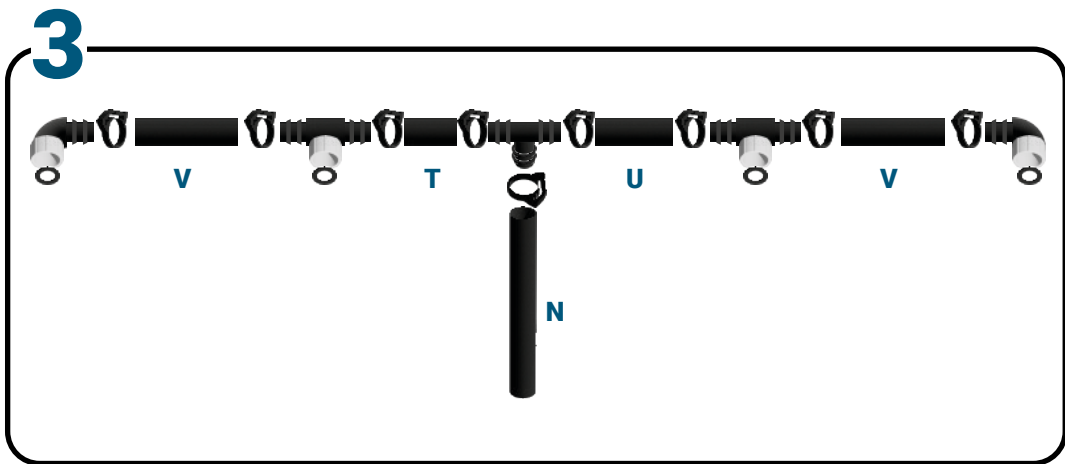
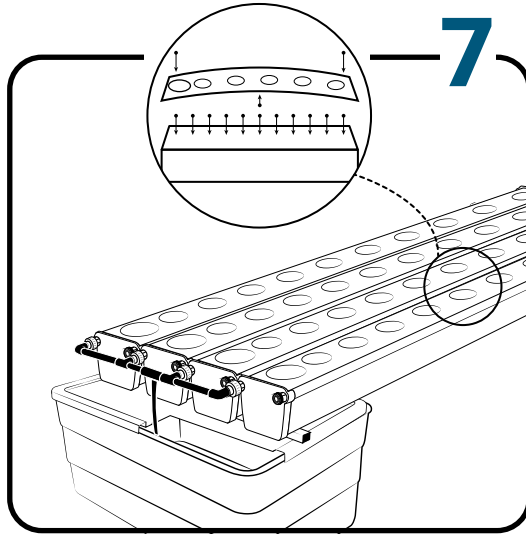
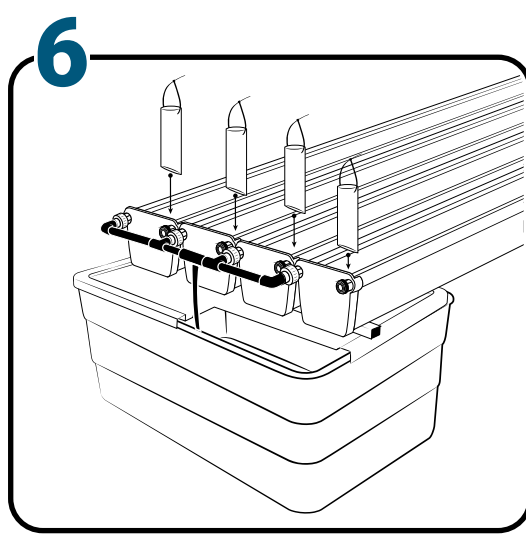
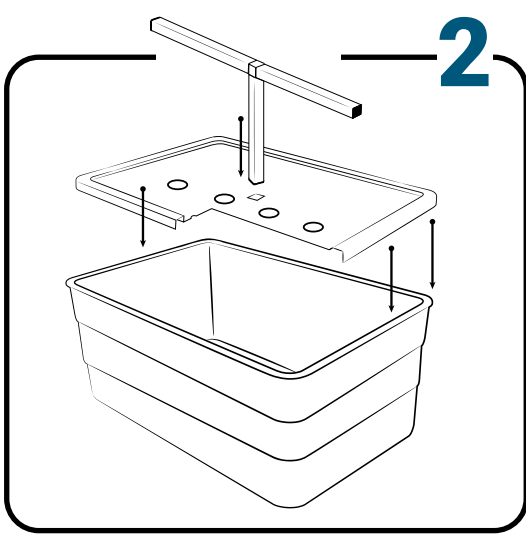
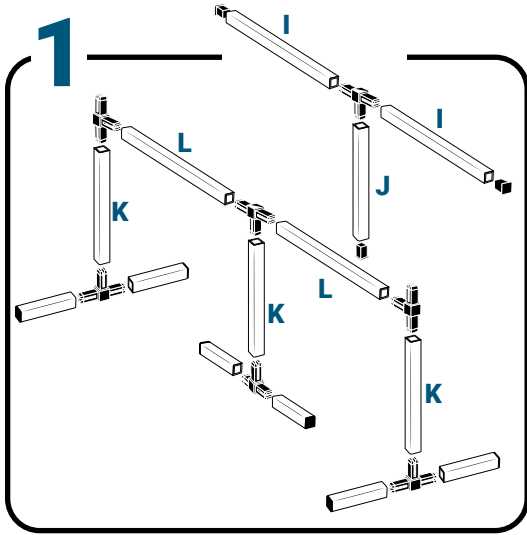
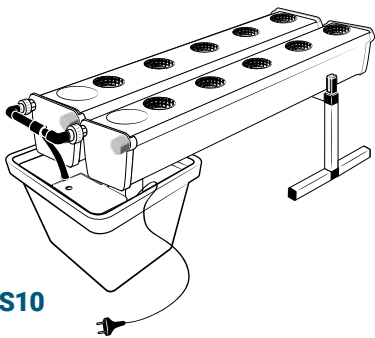


## Pièces

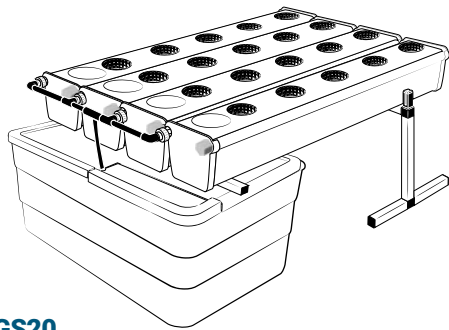
| Ref      | Designation |   |
|----------|-------------|---|
| <b>A</b> | TU21132     | GrowStream V2 2M grow canal                               |
| <b>B</b> | CV21122     | GrowStream V2 2M-10 plants cover                          |
| <b>C</b> | RT11011     | Level tube D50 GrowStream canal                           |
| <b>D</b> | PO01002     | 3" net cup  |
| <b>E</b> | CV91001     | Access hole cap   |
| <b>F</b> | RE07002     | GrowStream tank ABS white                                 |
| <b>G</b> | CV04007     | GrowStream tank cover 10 ABS white                        |
| <b>H</b> | PM11051     | 1.5 Syncra pump   |
| <b>I</b> | TU21036     | 30x30 white tube 458mm                                    |
| <b>J</b> | TU21033     | 30x30 white tube 393mm                                    |
| <b>K</b> | TU21032     | 30x30 white tube 370mm                                    |
| <b>L</b> | TU21029     | 30x30 white tube 440mm                                    |
| <b>M</b> | RA61007     | T insert for 30x30 PVC tube                               |
| <b>N</b> | AL11026     | Pump connection GrowStream20 V2                           |
| <b>O</b> | EI21034     | PVC tube 30x30x140 + end-cap                              |
| <b>P</b> | FX11010     | 22 - 20.5x23mm clamp                                      |
| <b>Q</b> | RA31002     | Ribbed T 20mm   |
| <b>R</b> | EI31024     | Manifold elbow connector                                  |
| <b>S</b> | EI31023     | Manifold T connector                                      |
| <b>T</b> | EI71001     | Black tube 18x22x60mm (manifold tube GS 20/40/60/80/120)  |
| <b>U</b> | EI71003     | Black tube 18x22x100mm (manifold tube GS 20/40/60/80/120) |
| <b>V</b> | EI71005     | Black tube 18x22x180mm (manifold tube GS 20/40/60/80/120) |
| <b>W</b> | AC01010     | Brush Ø 16x80x300 mm loop Ø 10mm                          |
| <b>X</b> | RA03001     | 3/4 drilled end-cap white PP                              |
| <b>Y</b> | JN21012     | Flat O-ring seal 12x24x3mm                                |
| <b>Z</b> | JN21013     | Flat O-ring seal EPDM 3/4                                 |
|          | RA61005     | End-cap insert 30x30                                      |
|          | AC01001     | Draining kit  |



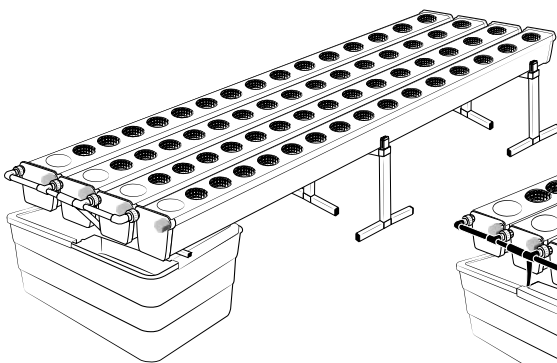
**GS10**



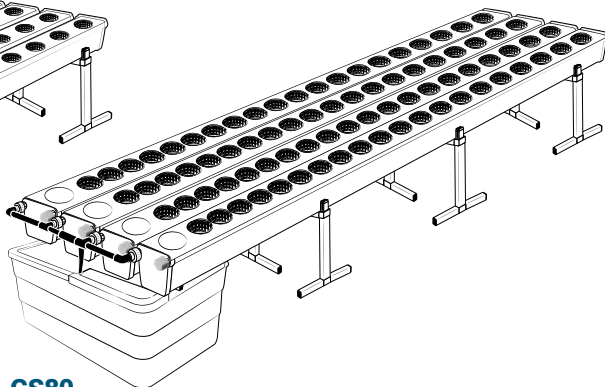
**GS20**



**GS60**



**GS80**



**T.A.**<sup>®</sup>  
**Terra Aquatica**

info@eurohydro.com  
Tél. :+33 (0)5 62 06 08 30  
3250 Fleurance - France